

TCX525

Automatic Tilt-Column Tire Changer

- **Services Wheels From 11- To 24 Inch Diameter**
- **Provides Maximum Protection When Servicing Alloy Wheels**



HUNTER
Engineering Company

TCX525 Tire Changer

Automatic Tilt-Column Tire Changer

The TCX525 tire changer features a pneumatically operated, pedal-controlled tilt-back post to demount and mount passenger-car, motorcycle and light-truck wheels. Services rim diameters from 11 to 24 inches and tire widths up to 330 mm (13 in.). Strong, versatile, extremely practical and fast to use, the TCX525 offers great performance and maximum reliability.



Shown with optional bead blaster jaws system

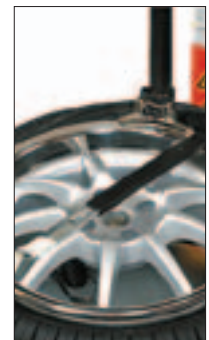
Turntable Features

- The TCX525 has a powerful, bi-directional turntable, which features an inside clamping range of 13 to 24 inches and an outside clamping range of 11 to 22 inches without adding extensions.
- The four specially contoured clamping jaws are operated by two powerful air cylinders that ensure clamping on any type of rim.
- A user-friendly pedal assembly combines all the tire changer controls for fast and safe operation. One pedal regulates clamp/slide opening with a cam system to prevent tire pinching during clamping operation.

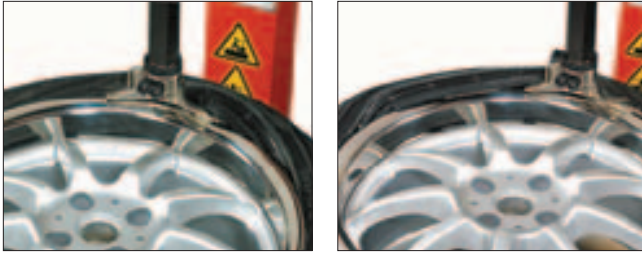
Alloy Rim Protection

Alloy rim protector kit is supplied for operating on alloy rims without risk of damage.

- Jaw and sliding element polymer guards protect the edge of the rim during the self-centering locking phase.
- Mount/demount head polymer inserts protect both the edge and the side of the rim from any contact with the mount/demount head during the tire removal and refitting phases.
- Polymer bead lever protectors prevent damage to alloy rims caused by contact with the lever when the tire is being changed.
- Polymer shovel guard covers the edge of the bead loosener shovel and protects the inner part of the rim.



TCX525 Standard Features



Demounting and Mounting

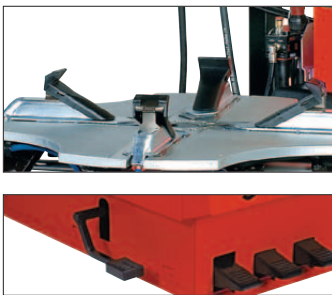
- Mounting and Demounting Arms lock at the same time with a single pneumatic control. They feature automatic spacing of the toolhead in both the horizontal and vertical directions.
- Mount/demount head is made of microcast steel with adjuster screws on both operating axes for ease of use on any type of rim. It is equipped with plastic inserts for full protection of alloy rims.

Bead Loosener

- Powerful bead loosener with a double-acting pneumatic cylinder is designed to transfer a high force onto the shovel for fast and accurate bead loosening.
- Because of its cross articulating design, the bead loosener shovel mates precisely with small to large tire profiles.
- The rubber rest and polymer shovel guard allow you to work on alloy rims safely and ergonomically.



TCX525 Optional Features



Optional Bead Blaster Jaws

- Tire inflation system with foot-pedal control assists bead seating by providing air bursts from the turntable. Pressure readout unit with pressure release button features external air tank built to CE safety standards.
- Compact, practical and fast, the bead blaster jaws offer the utmost in performance.

TCX525 Standard Accessories



Tire paste, paste brush, bead lever and kit of plastic protectors for alloy rims

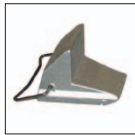
TCX525 Optional Accessories



ASTURO
tire inflating
gun-&-gauge
(CE norms)



**Mechanical bead
press roller**



**Set of adaptors to
reduce outside
clamping diameter
by 2 inches**



**Drop-center
mounting clamp**



**Set of adaptors to
increase outside
clamping diameter
by 4 inches**



**Universal quick
change device for
tool-heads**



**Set of motorcycle
wheel adaptors**



**Polymer
mount/demount head**



**Set of adaptors to
reduce outside
clamping diameter
by 4 inches**



**Mount/demount head
for convex-spoke
rims (VW) complete
with polymer inserts
to protect alloy rims**

Optional Bead Press System (BPS) for TCX525



Optional Bead Press System speeds and eases clamping, lubricating, demounting and mounting the toughest wheel and tire combinations.

Patented design uniquely locates the pressing forces over the center of the wheel and tire to ensure maximum service strength and rigidity.



**Wheels Lifter
with Roller
Board**

TCX525 Specifications[†]

Available Models

Automatic tilt-column tire changer with 1-speed electric motor

Part No.	Power Requirements
TCX525-2-1-5	230V-1ph-50hz
TCX525-2-1-6	230V-1ph-60hz

Automatic tilt-column tire changer with bead blaster jaws system and 1-speed electric motor

Part No.	Power Requirements
TCX525GP-2-1-5	230V-1ph-50hz
TCX525GP-2-1-6	230V-1ph-60hz

Automatic tilt-column tire changer with 2-speed electric motor

Part No.	Power Requirements
TCX525D-2-3-5	230V-3ph-50hz
TCX525D-2-3-6	230V-3ph-60hz
TCX525D-4-3-5	400V-3ph-50hz

Automatic tilt-column tire changer with bead blaster jaws system and 2-speed electric motor

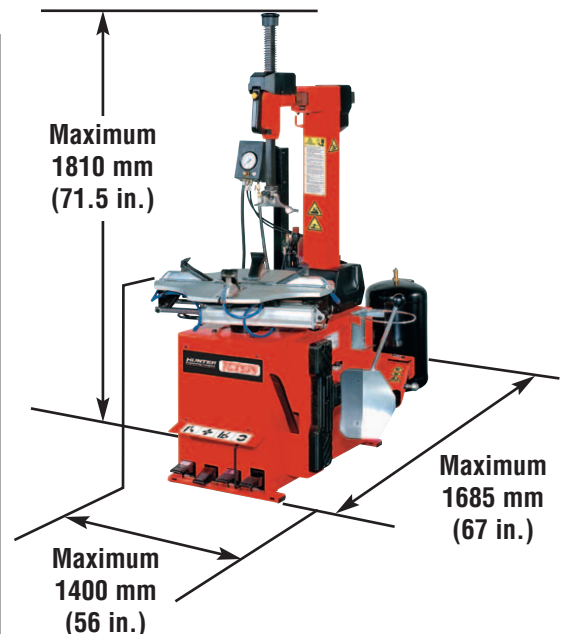
Part No.	Power Requirements
TCX525DGP-4-3-5	400V-3ph-50hz
TCX525DGP-2-3-5	230V-3ph-50hz
TCX525DGP-2-3-6	230V-3ph-60hz

Specifications

- Handles Rims from 11 in. - 24 in.
- Outside Clamping 11 in. - 22 in.
- Inside Clamping 13 in. - 24 in.
- Maximum Tire Diameter 1,010 mm (40 in.)
- Maximum Bead Loosener Width 340 mm (13.4 in.)
- Maximum Tire Width on Table 330 mm (13 in.)
- Bead Loosener Cylinder Force (at 10 Bar) 30,800 N
- Operating Pressure 8 - 10 bar (115 - 145 psi.)
- Machine Weight 205 kg (452 lbs.)

Standard Accessories

- Bead Lever
- Bead Lever Protectors
- Clamping Jaw Protectors
- Mount/demount head Inserts
- Shovel Protectors
- Brush
- 5kg Tire Paste



Visit our Website: www.hunter.com

HUNTER
Engineering Company

11250 Hunter Drive, Bridgeton, MO 63044 U.S.A.
Tel: 1-314-731-3020 • FAX: 1-314-731-0132
E-mail: international@hunter.com

[†] Some dimensions, capacities and specifications may vary depending on tire and wheel configurations. Because of continuing technological advancements, specifications, models and options are subject to change without notice.